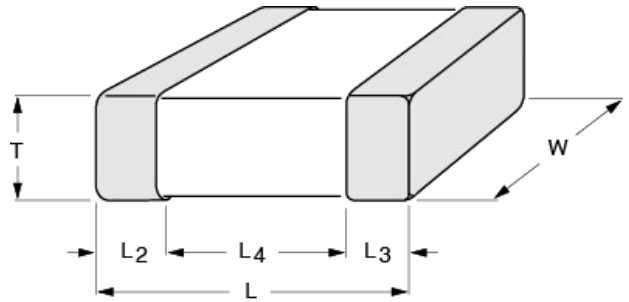
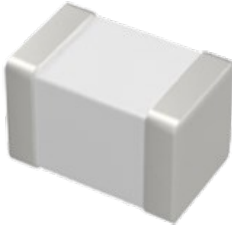


# Part No. AC0603JRX8G9BN681

| 0603 (1608) | X8G | 50 Vdc | 680 pF | ±5% |

Surface-Mount Ceramic Multilayer Capacitors (RoHS compliant & Halogen Free)

## ■ Appearance



## ■ Dimension (mm)

L (Length)	1.60 ±0.10
W (width)	0.80 ±0.10
T (Thickness)	0.80 ±0.10
L2/L3	0.20~0.50
L4	0.6

## ■ Specification

Application	Automotive
Case Size (EIA/JIS)	0603 (1608)
Temperature Characteristic	X8G
Operation Temp. Range	-55 to +150°C
Capacitance	680 pF
Capacitance Tolerance	±5%
Rated Voltage (VDC)	50
Endurance (% Rated voltage)	200%
Tanδ (max)	0.10%
Insulation Resistance (min)	10.0 GΩ
Packing	Paper/PE Tape Reel 7 inch
Standard Packing Qty (pcs)	4,000
Test Method	AEC Q200

The data are for reference only. Electrical characteristics vary depending on environment or measurement condition.

YAGEO reserves the right to make change to the data at any time without notice. Before making final selection, please check product specification.