

# DATA SHEET

**HIGH FREQUENCY**  
SMD type antenna  
for BT/802.11b/g application

2.45 GHz  
**7020 Series**



FEATURES

- Omini directional radiation
- Compact size design
- Suitable for wave and reflow soldering
- RoHS compliant

APPLICATIONS

- Bluetooth, WLAN
- 2.4 GHz ISM Band

ORDERING INFORMATION-GLOBAL PART NUMBER, PHYCOMP CTC & I2NC

All part numbers are identified by the series, packing type, material, size, antenna type, working frequency and packing quantity.

**YAGEO BRAND ordering code**

**GLOBAL PART NUMBER (PREFERRED)**

**CAN43 11 7 72 05 245 2K**  
 (1) (2) (3) (4) (5) (6) (7)

---

**(1) FAMILY**

CAN43 = Antenna products

---

**(2) PACKING STYLE**

11 = Reel

---

**(3) MATERIALS**

Material Code 7

---

**(4) SIZE**

72 = 7.0 \* 2.0

---

**(5) ANTENNA TYPE**

05 = Type 05

07 = Type 07

---

**(6) WORKING FREQUENCY**

245 = 2.4 ~ 2.5 GHz

---

**(7) PACKING QUANTITY**

2K = 2,000 pcs per reel

---

**ELECTRICAL CHARACTERISTICS**

Table 1

DESCRIPTION	VALUE
Centre Frequency	2.45 GHz
Bandwidth	420 MHz (Typ.)
Return Loss	10 dB min
Polarization	Linear
Azimuth Beamwidth	Omni-directional
Peak Gain	2.62 dBi (Typ.)
Impedance	50 Ω
Operating Temperature	- 40 °C to +85 °C
Maximum Power	1 W
Termination	Ni / Sn (Environmentally-Friendly Leadless)
Resistance to Soldering Heats	260°C , 10sec.

**NOTE**

I. The specification is defined on Yageo evaluation board

**DIMENSIONS**

Table 2 Machinical Dimension

TYPE	DIMENSION
L (mm)	7.02 ±0.20
W (mm)	2.02 ±0.20
T (mm)	0.76 ±0.20
A (mm)	0.45 ±0.20

**OUTLINES**

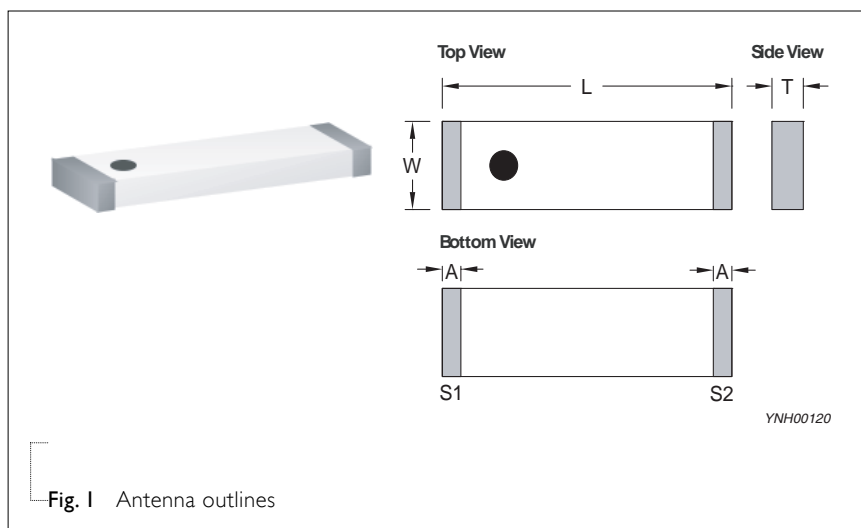
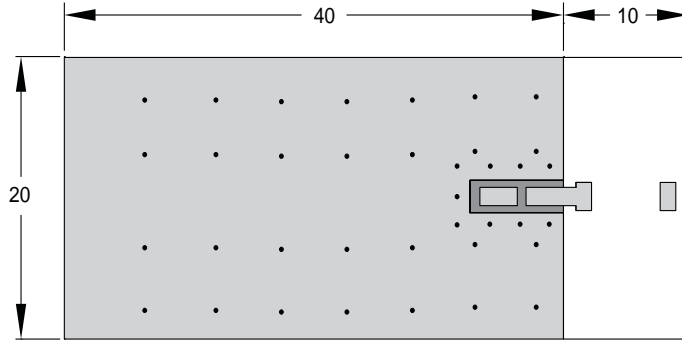


Fig. 1 Antenna outlines

Table 3 Termination configuration

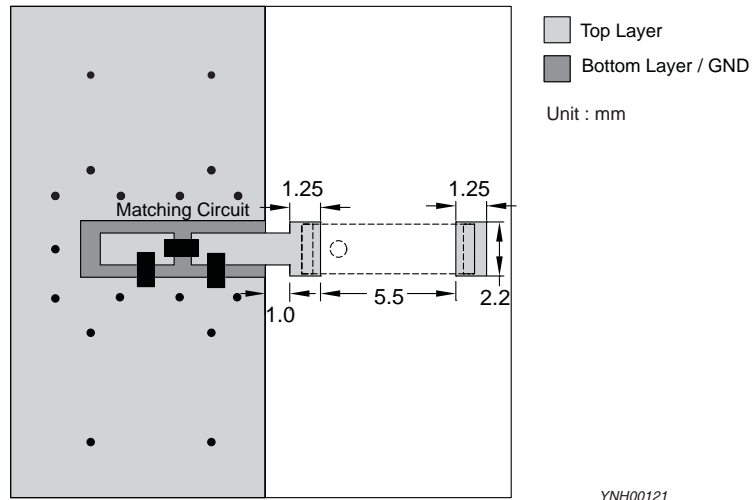
TERMINAL NAME	FUNCTION
S1	Feeding Point
S2	Soldering Point

**FOOTPRINT DIMENSIONS**



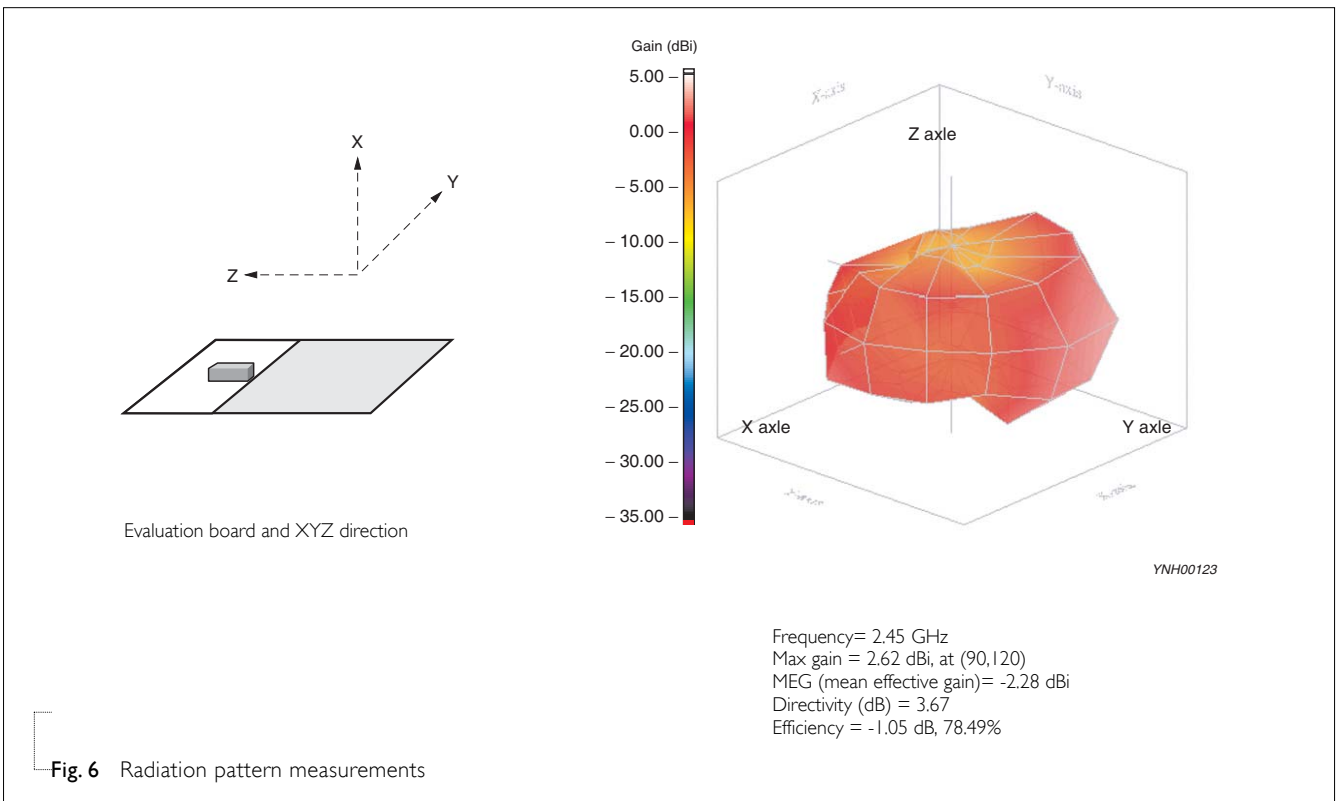
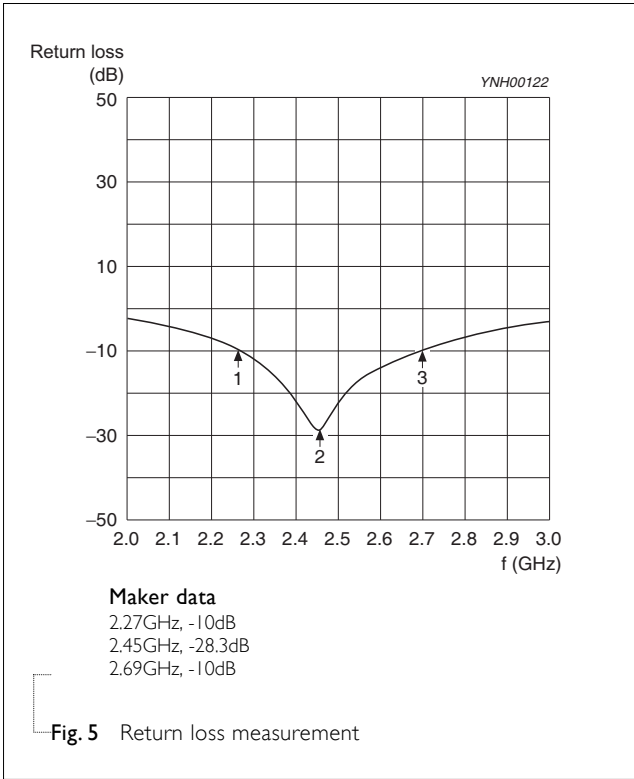
**Fig. 3** Outlook and dimension of evaluation board

Unit : mm



**Fig. 4** Dimension of footprint

**ELECTRICAL PERFORMERS**



REVISION HISTORYREVISION   DATE   CHANGE NOTIFICATION   DESCRIPTION

---

Version 0	Dec. 03, 2012	-	- New data sheet for SMD type antenna, 2.45GHz application, 7020 series
-----------	---------------	---	---

---