

# DATA SHEET

## WIRELESS COMPONENTS

FR4 Chip Antenna  
ANT1204F001R2400A

2.4 - 2.5 GHz  
I204 Series



FEATURES

- Compact size
- Omni-directional radiation
- Tape & reel automatic mounting
- Reflow process compatible
- RoHS compliant

APPLICATIONS

- 2.4 GHz WiFi device
- Bluetooth gadget
- Zigbee device
- ISM band equipment

ORDERING INFORMATION

All part numbers are identified by the series, packing type, material, size, antenna type, working frequency and packing quantity.

**PART NUMBER**

**ANT 1204 F 001 R 2400A**  
 (1) (2) (3) (4) (5) (6)

---

**(1) PRODUCT**

ANT = Antenna

---

**(2) SIZE**

1204 = 12 × 4 mm

---

**(3) ANTENNA TYPE**

L,F,A = Chip Antenna

---

**(4) SERIAL NO.**

001

---

**(5) PACKING TYPE**

R = Tape and Reel

---

**(6) WORKING FREQUENCY**

2400 = 2.4GHz

---

**PHYCOMP CTC**

CAN4311059012451K

---

**I2NC**

431105901245

---

**SPECIFICATION**

Table 1

DESCRIPTION	VALUE
Centre Frequency	2.45 GHz
Bandwidth	190 MHz (Typ.)
Return Loss	10 dBi min
Polarization	Linear
Azimuth Beamwidth	Omni-directional
Peak Gain	1.27 dBi (Typ.)
Impedance	50 Ω
Operating Temperature	- 40 ~ 105 °C
Maximum Power	1 W
Termination	Cu / Au (Environmentally-Friendly Leadless)
Resistance to Soldering Heats	260°C , 10sec.

**NOTE**

1. The specification is defined on Yageo evaluation board

**DIMENSIONS**

Table 2 Machinical Dimension

	DIMENSION
L (mm)	12.00 ±0.35
W (mm)	4.00 ±0.20
T (mm)	2.00 ±0.20
A (mm)	1.00 ±0.15
B (mm)	7.00 ±0.15
C (mm)	1.10 ±0.15

**OUTLINES**

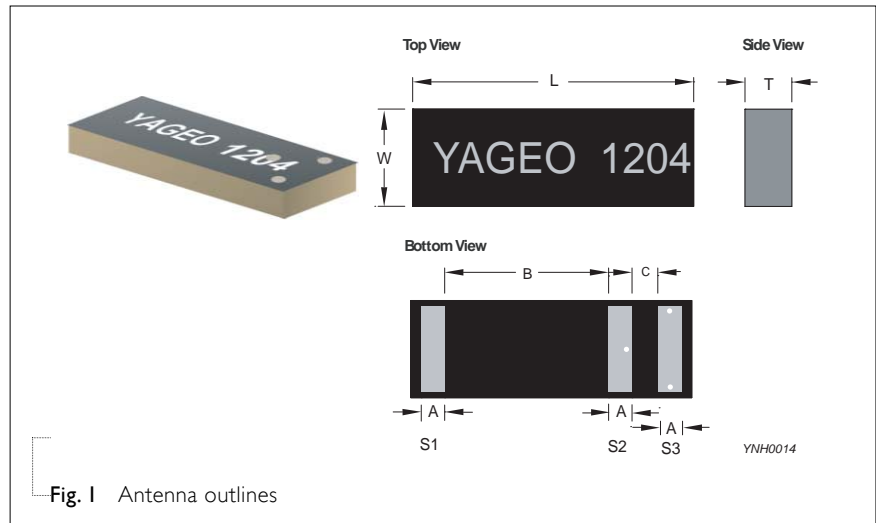
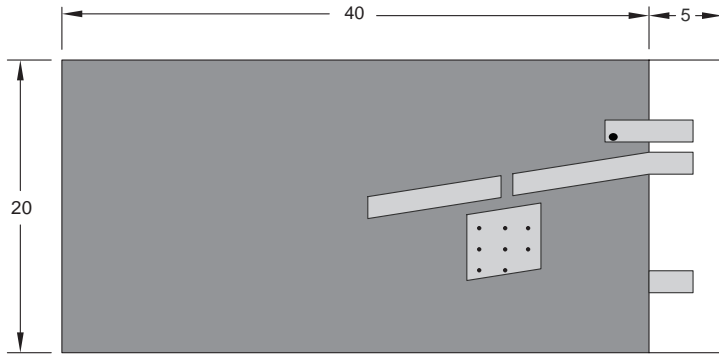


Fig. 1 Antenna outlines

Table 3 Termination configuration

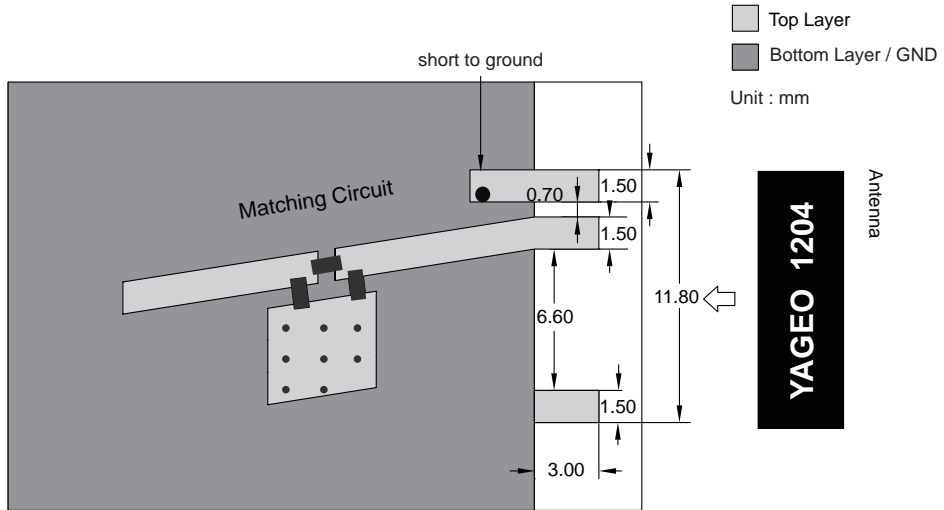
TERMINAL NAME	FUNCTION
S1	Soldering Point
S2	Feeding Point
S3	GND

**REFERENCE DESIGN OF EVALUATION BOARD**



**Fig. 2** Outlook and dimension of evaluation board

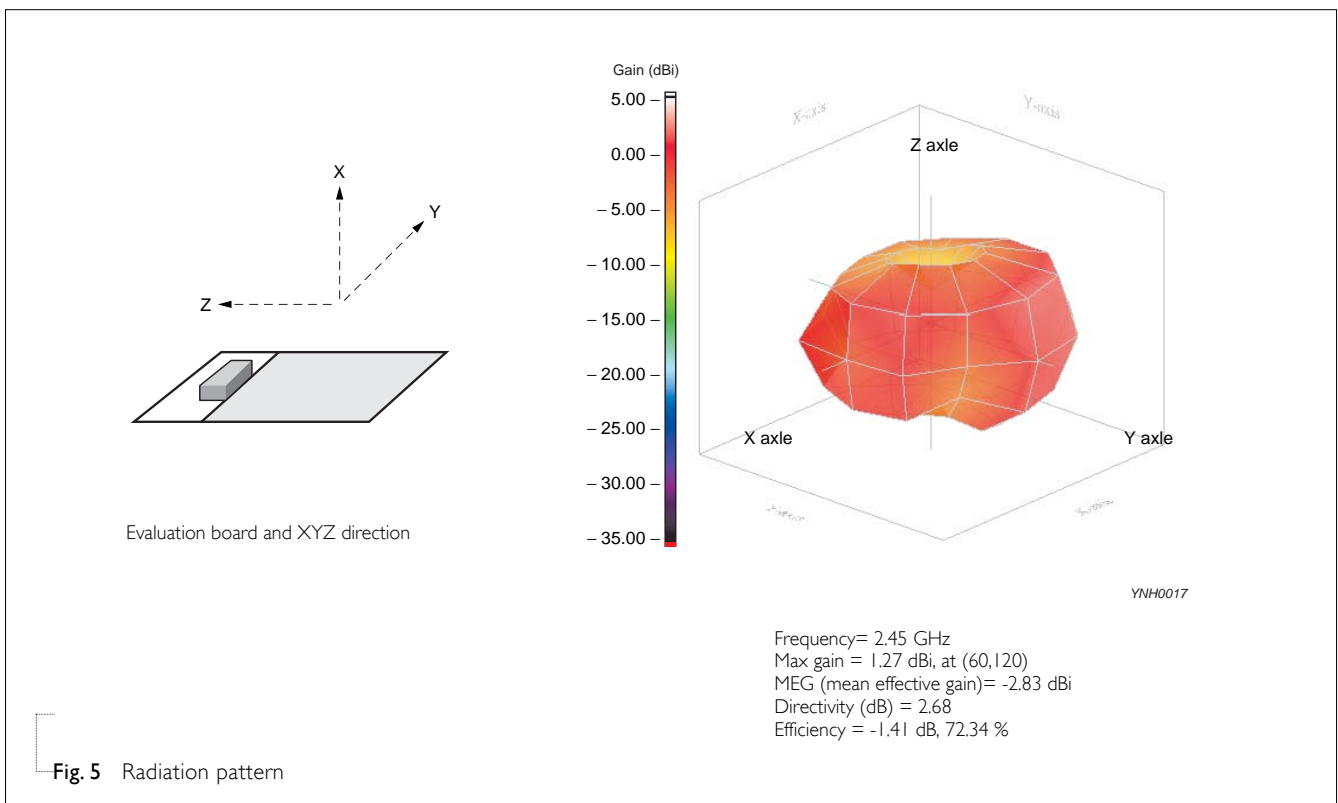
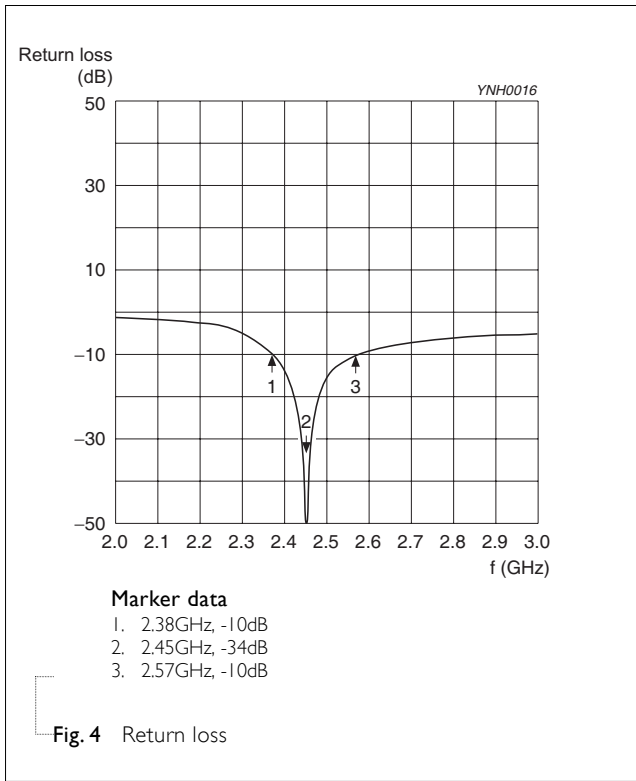
Unit : mm



**Fig. 3** Details of soldering Pad

YNH0015

**ELECTRICAL PERFORMANCES**



REVISION HISTORYREVISION   DATE   CHANGE NOTIFICATION   DESCRIPTION

---

Version 0	Mar. 27, 2013	-	- New data sheet for FR4 Chip Antenna, 2.4 - 2.5GHz application, I204 series
-----------	---------------	---	--

---